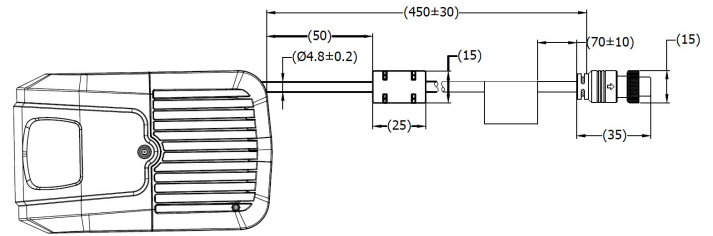
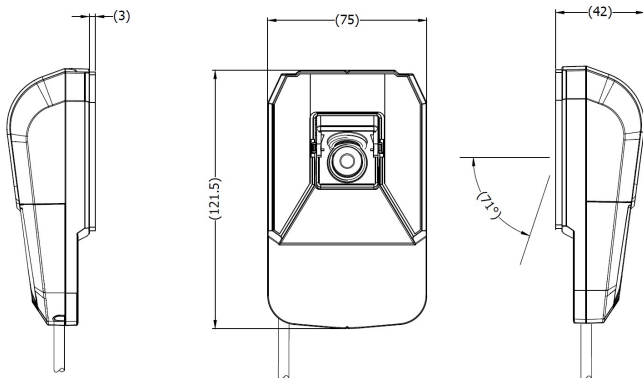


# Product Specification



**Brigade Model Number:** IP-1000C  
**Part Number:** (5935A)



Dimensions: mm

## Environmental Specifications:

- Operating Temperature: -40° to +70°C
- Storage Temperature: -40° to +85°C
- Camera IP Rating: IP20
- Vibration Rating: 6G
- Shocking Rating: 51G

## Approved Standards:

- CE - (2014/30/EU & 2011/65/EU)
- UKCA - (S.I. 2016/1091, S.I. 2012/3032)
- FCC - (47 CFR Part 15 Subpart B)
- IC - (ICES-003:2020 (Issue 7))
- E-Mark - (UNECE Regulation 10 Rev. 6)
- Elements of ISO 16750:2012
- RoHS3
- REACH

## Technical Specifications:

- Operating Voltage: 12 Vdc ± 2Vdc
- Current Consumption: 230mA @ 12 Vdc
- Viewing Angle: 87° (H), 51° (V), 98° (D)
- Lens Focal Length: 4mm
- Image Aspect Ratio: 16:9
- Picture Elements: 2MP, 1920(H) x 1080(V)
- Visual Resolution: 1050 TV Lines
- Image Latency: typ. 0.25sec
- Power on to Active: typ. 18sec
- Required Illumination: 0.05 Lux
- Imaging Device: CMOS
- Video Compression: H.264 or H.265
- Audio Compression: ADPCM, G.711A, G.711U, G.726
- Physical Layer: 10BASE-TX, 100BASE-TX Ethernet (Configurable)
- Network Protocol: ONVIF, TCP/IP, HTTP, HCP, NTP, FTP
- Overall Dimensions: 75mm (W) x 122mm (H) x 42mm (D)
- Assembled Weight: 240 Grams
- Housing Material: Cast Aluminium / ABS +PC
- Finish: Black Pantone 426C

## Features:

- Windscreen-mounted camera. High-definition picture quality.
- Adjustment range in assembly 0° downwards to 71° (camera housing obstruction will appear below 46°)
- Plug & Play compatibility with MDR 600 Series - MDR 600 will automatically detect and set up connected IP cameras
- Compatible with MDR 500 Series - Fast setup feature available to automatically assign IP address for IP cameras
- Image orientation - normal (default), mirror, vertical flip, mirror & vertical flip. Adjustable (setting via web interface)
- Built-in web server supports web browser access for configuration
- Various camera OSD items configurable over web interface. See Installation and Operational Guide for details and defaults
- Integrated microphone
- Supports Power over Network (PON) via the 6-pin Brigade IPC Type female connector (Incompatible with Power over Ethernet (POE) networks)
- Anti-reflective camera lens surface treatment
- WDR, back light compensation, automatic white balance

## Package Contents:

- 1x IP-1000C-C IP Camera
- 1x IP-1000C-FIX Fixing Kit
- 1x IP-1000C-QSC Quick-Start Card

## Optional Ancillaries:

- IP-1XXX-PC IP Camera Power and Ethernet Cable
- IP-1000C-3M-PAD 3M adhesive Pad
- IP-EM4 PON Switch-4 Ports
- IP-EM8 PON Switch-8 Ports
- IP-L601 Extension Cable - 1m
- IP-L603 Extension Cable - 3m
- IP-L605 Extension Cable - 5m
- IP-L610 Extension Cable - 10m
- IP-L615 Extension Cable - 15m
- IP-L620 Extension Cable - 20m
- IP-L630 Extension Cable - 30m

Technical: +44(0) 1322 420347  
www.brigade-electronics.com

Specifications subject to change without notice

PS(5935A)00 IP-1000C